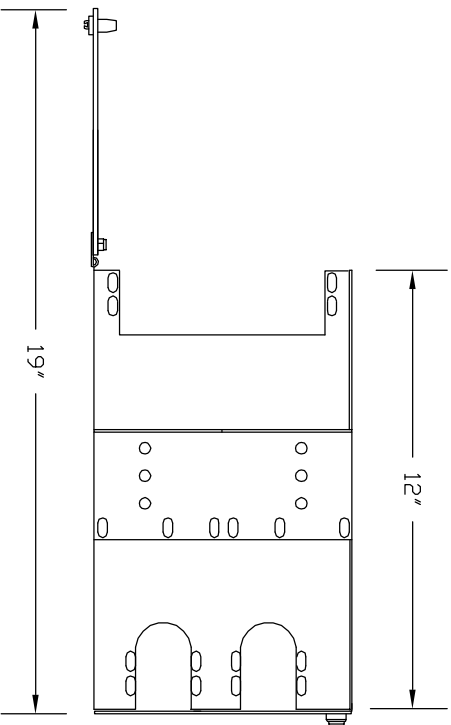
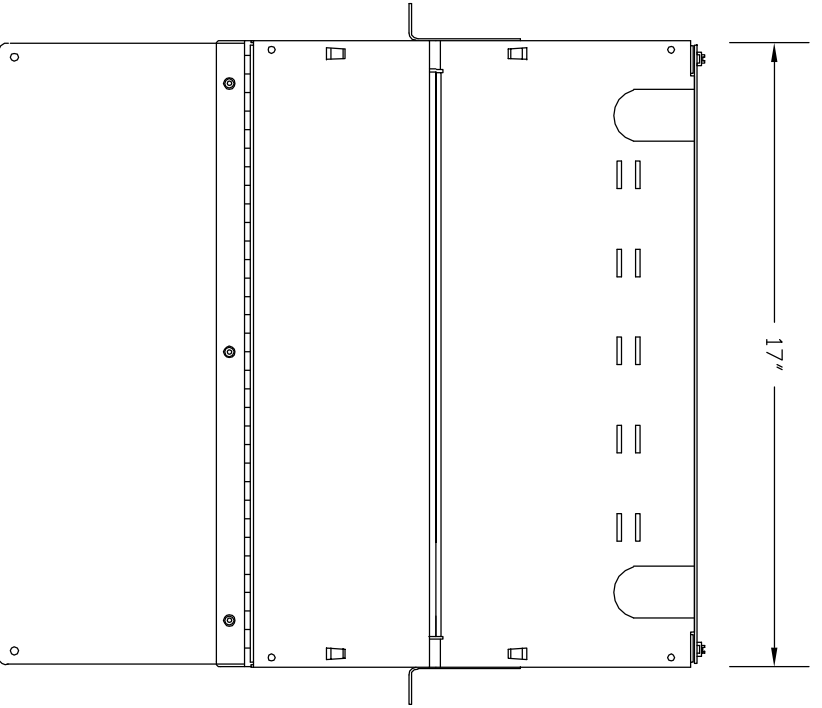
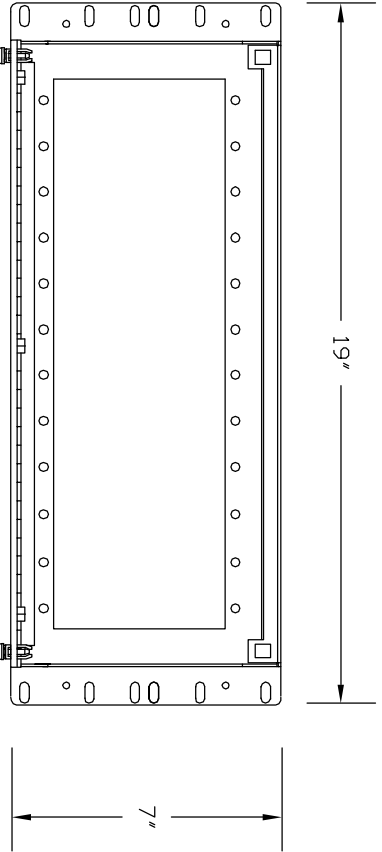


REVISIONS			
REV	DESCRIPTION	APPR	INITIAL DATE
REV. A	Initial Drawing	KAD.DSMITH	09/26/03



Material: 16 gauge cold rolled steel



XXX	XXX	XXX	XXXXXXXXXX
ND	QTY	MFR	DESCRIPTION
BILL OF MATERIALS (CAN BE SUBSTITUTED FOR EQUIVALENT PARTS)			
DRAWN BY:	KAD.DSMITH	DATE:	09/26/03
CHECKED BY:	KAD.DSMITH	DATE:	09/26/03
APPROVED BY:	KAD.DSMITH	DATE:	09/26/03
<p>THIS DRAWING CONTAINS INFORMATION OF A CONFIDENTIAL AND/OR PROPRIETARY NATURE. THE INFORMATION CONTAINED HEREIN MAY BE REPRODUCED, COPIED, OR DISCLOSED TO OTHER PERSONS WITHOUT THE EXPRESS WRITTEN SOLUTIONS, INC.</p>			
DESCRIPTION		4U High Rack Assembly	
CUSTOMER P/N		RAC-4X	
FCA P/N		RAC-4X	
SHEET 1 OF 1			REVISION A

4

3

2

1

4

3

2

1

17"

12"

19"

19"

7"

A

B

C

D

A

B

C

D