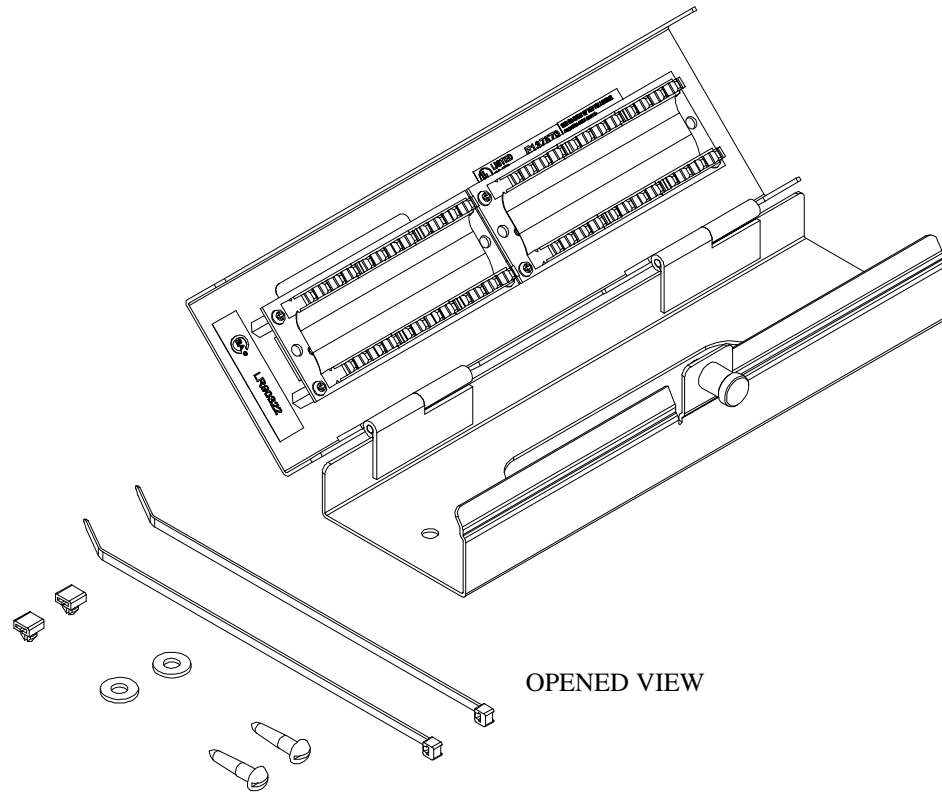
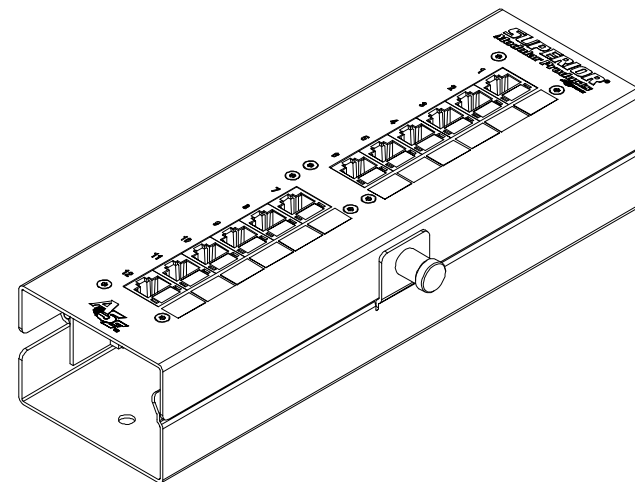




REV		REVISIONS			DATE	ECN	CHECKED
NO.	DESCRIPTION						
A	ALL RELEASE NEW			5/4/04	NEW	RBS	



OPENED VIEW



CLOSED VIEW

PP1288/110A5e		PATCH PANEL, 12 PORT, WM, A5e, 110, A/B	
SMP PART NO.		DESCRIPTION	
UNCONTROLLED COPY			
<small>UNLESS OTHERWISE SPECIFIED DIMENSIONS ARE IN INCHES TOLERANCES: FRACTIONS ±1/32" ANGLES ±1/2° 3 PLACE DECIMALS ±.000" 2 PLACE DECIMALS ±.01"</small>	<small>THIS DRAWING AND THE DESIGN SHOWN ARE THE PROPERTY OF SUPERIOR MODULAR PRODUCTS INC. AND MAY NOT BE USED AS THE BASIS FOR MANUFACTURE OR SALE WITHOUT SPECIFIC WRITTEN PERMISSION OF SUPERIOR MODULAR PRODUCTS.</small>		
	<small>DRAWN BY D.A.HOLBERT DATE 5/4/04</small>		
<small>THIRD ANGLE PROJECTION</small>  <small>CRITICAL DIMENSION CODE</small> F = FUNCTION M = MATING A = AUDIT	<small>MATERIAL</small> SEE BILL OF MATERIAL		<small>CHECKED BY</small> R.B.SMITH <small>DATE</small> 5/5/04 <small>ENGINEER</small> J.YANIK <small>DATE</small> 5/4/04
	<small>FINISH</small> SEE NOTES		<small>APPROVED</small> B.EVERETTE <small>DATE</small> 5/5/04 <small>PREVIOUS DWG</small>
	<small>FILENAME</small> C106499A.DWG		<small>SCALE</small> NONE
<small>SIZE</small> C		<small>DWG NO.</small> C106499	
<small>REV</small> A		<small>SCALE</small> NONE	