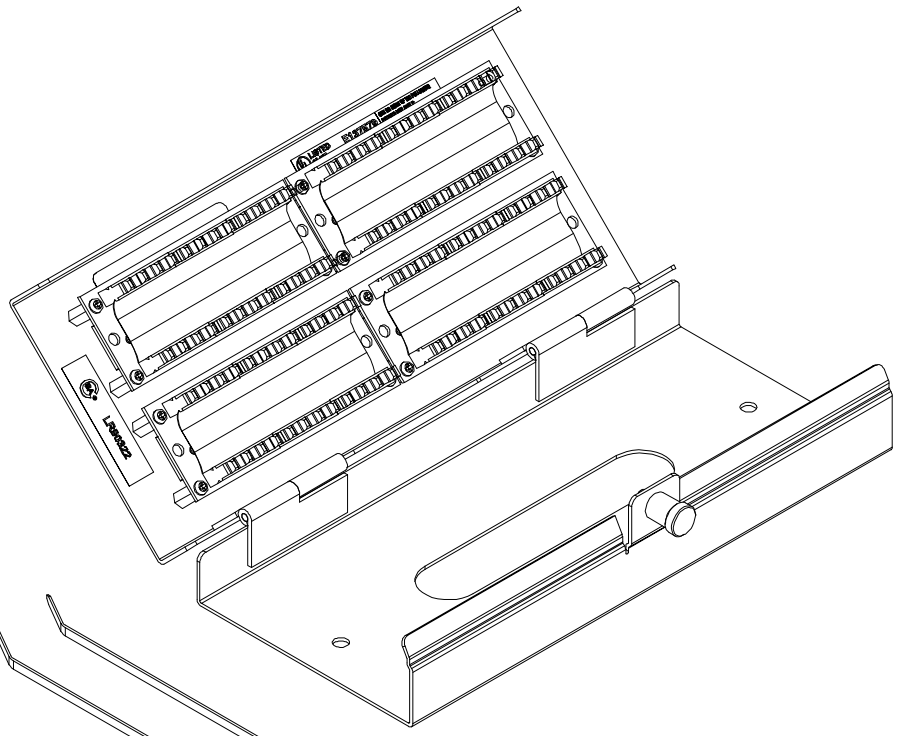
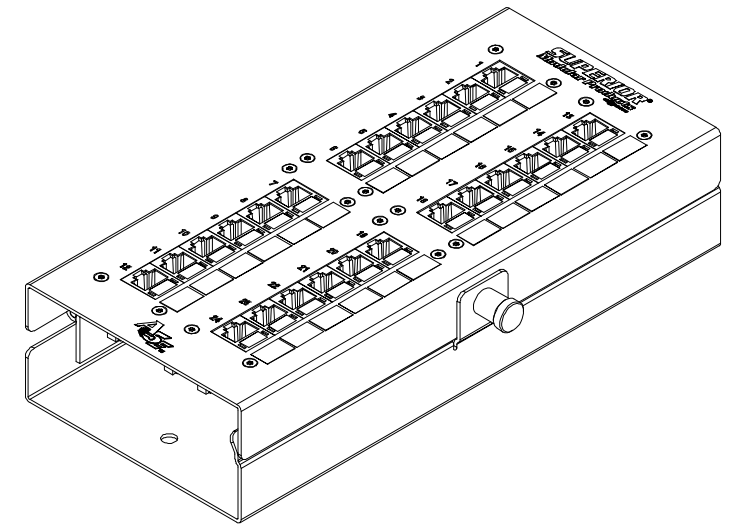



REV		SHT		REVISIONS			DATE	ECN	CHECKED
A		ALL		RELEASE NEW			5/4/04	NEW	RBS



OPENED VIEW



CLOSED VIEW

PP2488/110A5e		PATCH PANEL, 24 PORT, WALLMOUNT, A5e, 110, A/B		
SMP PART NO.		DESCRIPTION		
UNCONTROLLED COPY				
<small>UNLESS OTHERWISE SPECIFIED DIMENSIONS ARE IN INCHES TOLERANCES: FRACTIONS ±1/32" ANGLES ±1/2° 3 PLACE DECIMALS ±.005" 2 PLACE DECIMALS ±.01"</small>		<small>THIS DRAWING AND THE DESIGN SHOWN ARE THE PROPERTY OF SUPERIOR MODULAR PRODUCTS INC. AND MAY NOT BE USED AS THE BASIS FOR MANUFACTURE OR SALE WITHOUT SPECIFIC WRITTEN PERMISSION OF SUPERIOR MODULAR PRODUCTS.</small>		
				
<small>THIRD ANGLE PROJECTION</small> <small>CRITICAL DIMENSION CODE</small> <small>(F) = FUNCTION</small> <small>(M) = MATING</small> <small>(A) = AUDIT</small>		<small>MATERIAL</small> SEE BILL OF MATERIAL.		<small>DWG TITLE</small> PATCH PANEL ASSEMBLY, 24 PORT, WALLMOUNT, A5e, 110, A/B WIRED
		<small>FINISH</small> SEE NOTES		<small>DATE</small> 5/4/04 <small>DATE</small> 5/5/04 <small>DATE</small> 5/4/04 <small>DATE</small> 5/5/04
<small>CHECKED BY</small> R.B.SMITH <small>ENGINEER</small> J.YANIK <small>APPROVED</small> B.EVERETTE		<small>DATE</small> 5/4/04 <small>DATE</small> 5/4/04 <small>DATE</small> 5/5/04		<small>SIZE</small> C <small>DWG NO.</small> C106498 <small>REV</small> A
<small>NEXT DWG</small>		<small>FILENAME</small> C106498A.DWG <small>SCALE</small> NONE <small>SHEET</small> 1 OF 1		