

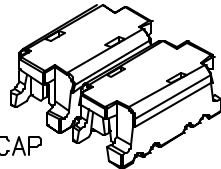
# SPECIFICATIONS

## APPLICATION SUPPORT LIST:

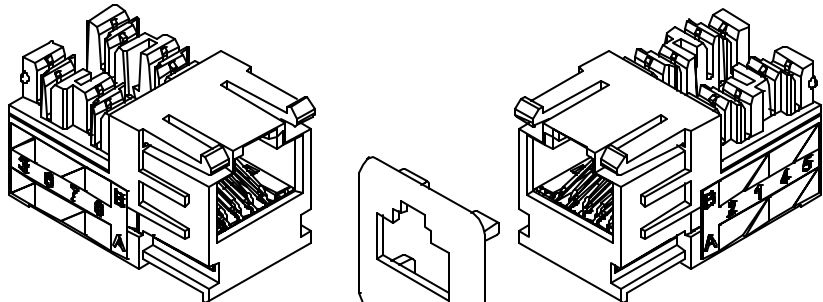
- VOICE
- 100 VG ANY LAN
- 155/622MBPS ATM
- 4/16 MBPS TOKEN RING
- 10 BASE-T ETHERNET
- 100 BZSE-TX FAST ETHERNET
- 1000 BASE-T GIGABIT ETHERNET
- BROADBAND VIDEO
- 270 MBPS DIGITAL VIDEO
- ALL OTHER APPLICATIONS DEVELOPED FOR OPERATION OVER CATEGORY 5e OR CLASS D CABLING.

## FEATURES/MATERIALS:

- PLASTIC HOUSING FLAME RETARDANT (UL 94 V-0).
- 11D STYLE IDC CONNECTORS - 100 MICRO-INCH TIN LEAD 60/40 PLATED OVER PHOSPHORUS BRONZE.
- IDC CONTACTS MEET DURABILITY REQUIREMENTS OF TIA 568-A WITH 22-26 AWG SOLID CONDUCTORS.
- CONTACTS - BERYLLIUM COPPER WITH A MINIMUM OF 50 MICRO-INCHES OF GOLD PLATING OVER NICKEL.
- UL LISTED.
- CSA CERTIFIED.

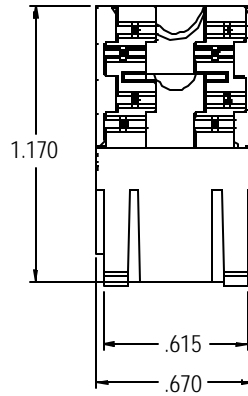


STUFFER CAP

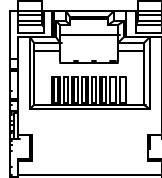


BEZEL

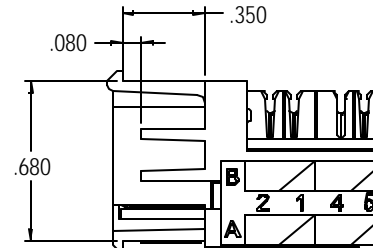
ISOMETRIC VIEW



TOP



LEFT SIDE



FRONT

REVISIONS					
REV	SHT	DESCRIPTION	DATE	ECN	CHECKED
A	ALL	RELEASE NEW	7/15/02	NEW	RBS

"XX" IN PART NUMBER DENOTES COLOR CODE:

- 00 ELEC. IVORY
- 01 OFFICE WHITE
- 02 BLACK
- 03 RED
- 04 GREEN
- 05 BLUE
- 06 GRAY
- 07 WHITE
- 08 ORANGE
- 09 YELLOW
- 10 PURPLE
- 11 BROWN

UMJA5EXXV	JACK, UMJ, CAT5E, "COLOR", BEZEL, VOICE
UMJA5EXXL	JACK, UMJ, CAT5E, "COLOR", BEZEL, LAN
UMJA5EXXD	JACK, UMJ, CAT5E, "COLOR", BEZEL, DATA
UMJA5EXX	JACK, UMJ, CAT5E, "COLOR", BEZEL
UMJA5E	JACK, UMJ, CAT5E, NO BEZEL
SMP PART NO.	DESCRIPTION

### UNCONTROLLED COPY

UNLESS OTHERWISE SPECIFIED DIMENSIONS ARE IN INCHES  
TOLERANCES:  
FRACTIONS ±1/32"  
ANGLES ±1/2°  
3 PLACE DECIMALS ±.005"  
2 PLACE DECIMALS ±.01"

THIS DRAWING AND THE DESIGN SHOWN ARE THE PROPERTY OF SUPERIOR MODULAR PRODUCTS INC. AND MAY NOT BE USED AS THE BASIS FOR MANUFACTURE OR SALE WITHOUT SPECIFIC WRITTEN PERMISSION OF SUPERIOR MODULAR PRODUCTS.

**SUPERIOR**  
Modular Products  
33 Superior Way Swannanoa, NC 28778

THIRD ANGLE PROJECTION	
CRITICAL DIMENSION CODE	
F - FUNCTION	
M - MATING	
A - AUDIT	

MATERIAL	SEE NOTES
FINISH	SEE NOTES

DRAWN BY	D.A.HOLBERT	DATE	7/15/02
CHECKED BY	R.B.SMITH	DATE	7/17/02
ENGINEER	J.YANIK	DATE	7/15/02
APPROVED	S.VAUGHN	DATE	7/17/02
PREVIOUS DWG			
NEXT DWG			
FILENAME	C105502A.DWG		

DWG TITLE		UMJ JACK, CATEGORY 5e	
SIZE	A	DWG NO.	C105502
SCALE	NONE	SHEET	1 OF 1
REV	A		