

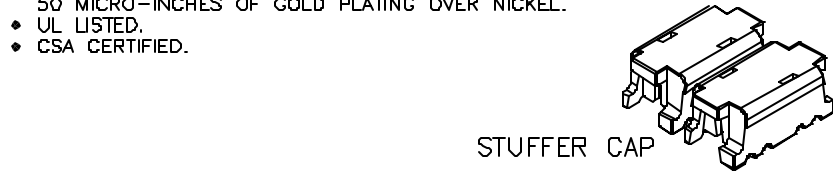
# SPECIFICATIONS

## APPLICATION SUPPORT LIST:

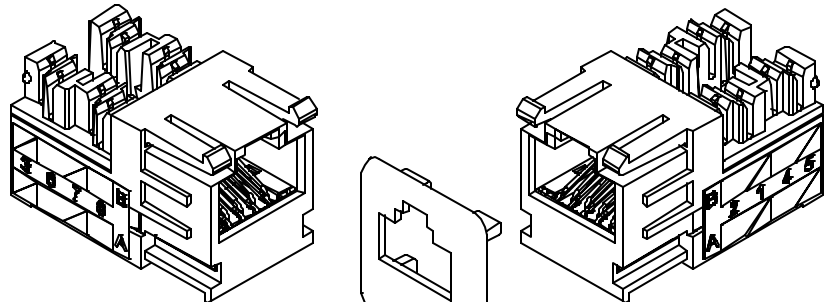
- VOICE
- 100 VG ANY LAN
- 155/622MBPS ATM
- 4/16 MBPS TOKEN RING
- 10 BASE-T ETHERNET
- 100 BZSE-TX FAST ETHERNET
- 1000 BASE-T GIGABIT ETHERNET
- BROADBAND VIDEO
- 270 MBPS DIGITAL VIDEO
- ALL OTHER APPLICATIONS DEVELOPED FOR OPERATION OVER CATEGORY 5e OR CLASS D CABLING.

## FEATURES/MATERIALS:

- PLASTIC HOUSING FLAME RETARDANT (UL 94 V-0).
- 11D STYLE IDC CONNECTORS - 100 MICRO-INCH TIN LEAD 60/40 PLATED OVER PHOSPHORUS BRONZE.
- IDC CONTACTS MEET DURABILITY REQUIREMENTS OF TIA 568-A WITH 22-26 AWG SOLID CONDUCTORS.
- CONTACTS - BERYLLIUM COPPER WITH A MINIMUM OF 50 MICRO-INCHES OF GOLD PLATING OVER NICKEL.
- UL LISTED.
- CSA CERTIFIED.

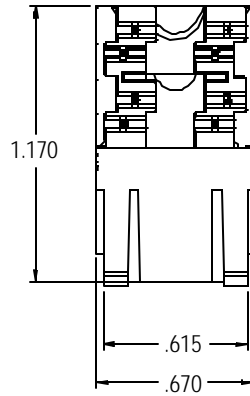


STUFFER CAP

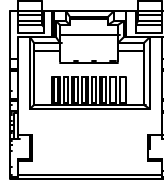


BEZEL

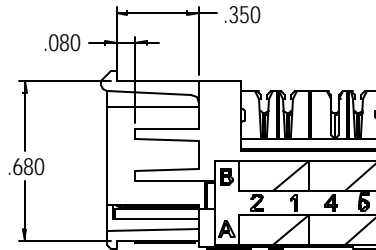
ISOMETRIC VIEW



TOP



LEFT SIDE



FRONT

REVISIONS					
REV	SHT	DESCRIPTION	DATE	ECN	CHECKED
A	ALL	RELEASE NEW	7/15/02	NEW	RBS

"XX" IN PART NUMBER DENOTES COLOR CODE:

- 00 ELEC. IVORY
- 01 OFFICE WHITE
- 02 BLACK
- 03 RED
- 04 GREEN
- 05 BLUE
- 06 GRAY
- 07 WHITE
- 08 ORANGE
- 09 YELLOW
- 10 PURPLE
- 11 BROWN

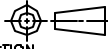
UMJA6XXV	JACK, UMJ, CAT6, "COLOR", BEZEL, VOICE
UMJA6XXL	JACK, UMJ, CAT6, "COLOR", BEZEL, LAN
UMJA6XXD	JACK, UMJ, CAT6, "COLOR", BEZEL, DATA
UMJA6XX	JACK, UMJ, CAT6, "COLOR", BEZEL
UMJA6	JACK, UMJ, CAT6, NO BEZEL
SMP PART NO.	DESCRIPTION

### UNCONTROLLED COPY

UNLESS OTHERWISE SPECIFIED DIMENSIONS ARE IN INCHES  
 TOLERANCES:  
 FRACTIONS ±1/32"  
 ANGLES ±1/2"  
 3 PLACE DECIMALS ±.005"  
 2 PLACE DECIMALS ±.01"

THIS DRAWING AND THE DESIGN SHOWN ARE THE PROPERTY OF SUPERIOR MODULAR PRODUCTS INC. AND MAY NOT BE USED AS THE BASIS FOR MANUFACTURE OR SALE WITHOUT SPECIFIC WRITTEN PERMISSION OF SUPERIOR MODULAR PRODUCTS.

**SUPERIOR**  
 Modular Products  
33 Superior Way Swannanoa, NC 28778

THIRD ANGLE PROJECTION  
  
 CRITICAL DIMENSION CODE  
 F - FUNCTION  
 M - MATING  
 A - AUDIT

MATERIAL SEE NOTES  
 FINISH SEE NOTES

DRAWN BY D.A.HOLBERT DATE 7/15/02  
 CHECKED BY R.B.SMITH DATE 7/17/02  
 ENGINEER J.YANIK DATE 7/15/02  
 APPROVED S.VAUGHN DATE 7/17/02  
 PREVIOUS DWG  
 NEXT DWG FILENAME C105361A.DWG

DWG TITLE  
 UMJ JACK, CATEGORY 6  
 SIZE A  
 DWG NO. C105361  
 SCALE NONE  
 SHEET 1 OF 1  
 REV A