

SPECIFICATIONS

FEATURES/MATERIALS:

- LOCKING CUSTOM COLOR/ICON BEZELS PROVIDE DISTINCTIVE JACK IDENTIFICATION.
- CUSTOM BEZELS ARE AVAILABLE IN A WIDE VARIETY OF COLORS AND ICONS.
- BEZELS ARE CONSTRUCTED OF HIGH IMPACT SELF EXTINGUISHING, RATED 94V-0.
- ALL COMPONENTS MADE IN U.S.

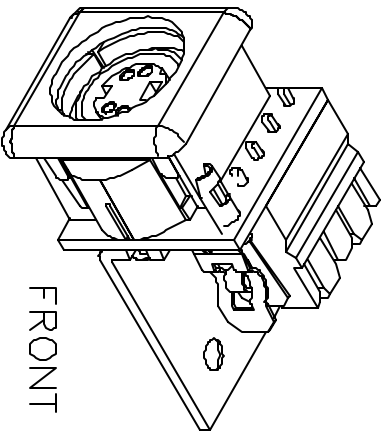
OPTIONAL COLOR BEZELS CAN BE ORDERED BY REPLACING "-XX" WITH COLOR CODE.
 EXAMPLE: BE-06-02 = BLACK
 SUBJECT TO AVAILABILITY, LEAD-TIMES AND MINIMUMS MAY APPLY.

BEZEL COLOR CHART

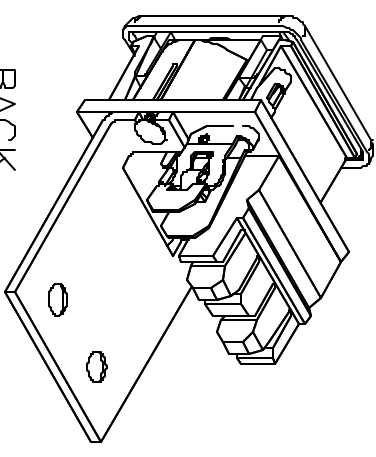
00 ELECTRICAL IVORY	06 DATA GRAY
01 OFFICE WHITE	07 WHITE
02 BLACK	08 ORANGE
03 RED	09 YELLOW
04 GREEN	10 PURPLE
05 BLUE	11 BROWN

PROPOSED EIA/TIA 606 COLOR CODED IDENTIFICATION SYSTEM

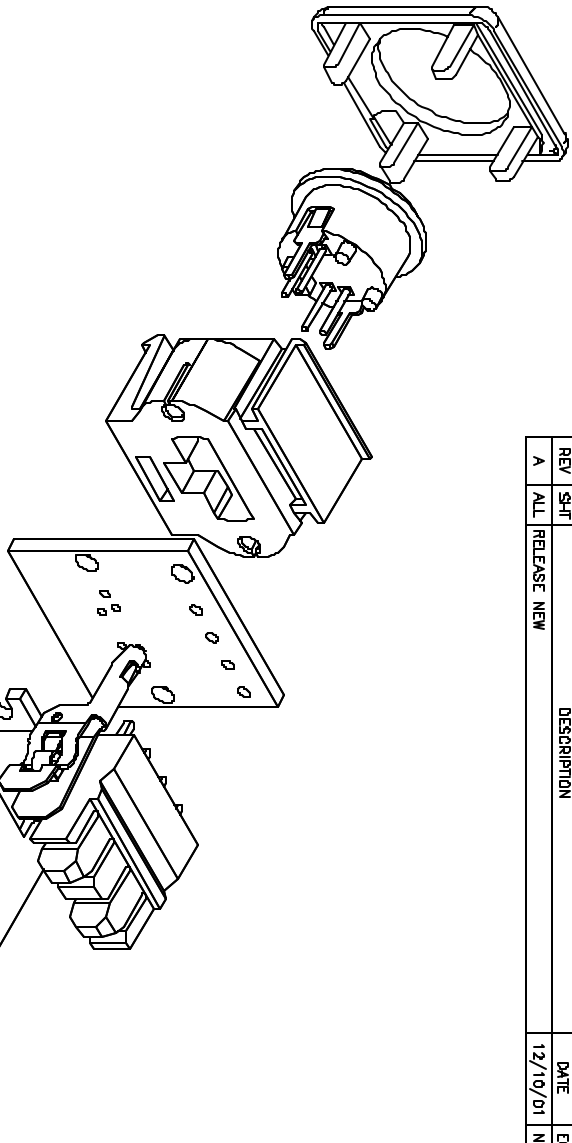
TERMINATION TYPE	COLOR	SUPERIOR COLOR CODE
DEMARCATON POINT	ORANGE	08
NETWORK COMMUNICATIONS	GREEN	04
COMMON EQUIPMENT	PURPLE	10
FIRST LEVEL BACKBONE	WHITE	07
SECOND LEVEL BACKBONE	GRAY	06
STATION	BLUE	05
INTERBUILDING BACKBONE	BROWN	11
MISCELLANEOUS	YELLOW	09
KEY TELEPHONE SYSTEMS	RED	03



FRONT



BACK



REV		SHIT	DESCRIPTION	DATE	ECN	CHECKED
A	ALL	RELEASE NEW		12/10/01	NEW	RSS

REVISIONS

UNCONTROLLED COPY

UNLESS OTHERWISE SPECIFIED DIMENSIONS ARE IN INCHES. TOLERANCES: FRACTIONS: .1/.32" DECIMALS: .005" PLACES: 2 PLACE DECIMALS ±.01"

THIS DRAWING AND THE DESIGN SHOWN ARE THE PROPERTY OF SUPERIOR MODULAR PRODUCTS INC. AND MAY NOT BE USED AS THE BASIS FOR MANUFACTURE OR SALE WITHOUT SPECIFIC WRITTEN PERMISSION OF SUPERIOR MODULAR PRODUCTS.

DRAWN BY: D.A.HOLBERT DATE: 12/10/01

CHECKED BY: R.B.SMITH DATE: 1/16/02

ENGINEER: J.YANIK DATE: 12/10/01

APPROVED: S.VAUGHN DATE: 1/16/02

PREVIOUS DWG: NEXT DWG: FILENAME: C103138A.DWG



DWG TITLE: ADAPTER, SVHS, UMJ ASSEMBLY

SVHS ASSY, AA	SVHS ADAPTER ASSEMBLY, AA
AASVHS07	ACCESS ADAPTER, SVHS, UMJ, WHITE
AASVHS02	ACCESS ADAPTER, SVHS, UMJ, BLACK
AASVHS01	ACCESS ADAPTER, SVHS, UMJ, OFF. WHITE
AASVHS00	ACCESS ADAPTER, SVHS, UMJ, ELEC. IVORY
SMP PART NO.	DESCRIPTION

THIRD ANGLE PROJECTION	
CRITICAL DIMENSION CODE	
F = FUNCTION MATING	
A = AUDIT	

MATERIAL AS PURCHASED	FINISH AS PURCHASED	SIZE	DWG NO.	SCALE	SHEET	REV
		B	C103138	NONE	1 OF 1	A